



JOHN DEERE

6068HF258

PowerTECH™

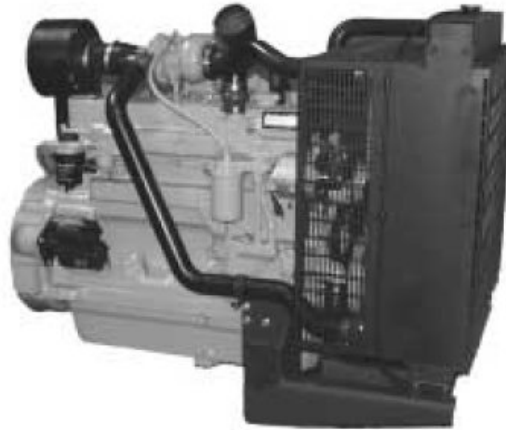
SPECIFICATIONS

For Gen Set Applications

Power Units

TA LUFT approved @ 1500 rpm

EPA - CARB Tier 1 Certified @ 1800 rpm

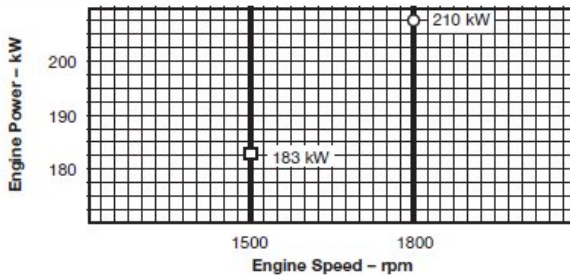


PERFORMANCE DATA

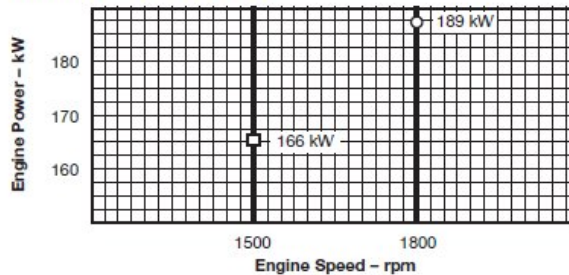
Speed (Hz)	Generator Efficiency %	Fan Power kW	Power Factor	Calculated Gen Set rating					
				Prime			Standby ⁽¹⁾		
				kW net	kVA	kWe	kW net	kVA	kWe
1500 (50)	88-92	6.5	0.8	160	175-183	140-147	177	194-202	155-162
1800 (60)	88-92	10.4	0.8	179	196-205	157-164	200	220-230	176-184

Note⁽¹⁾: based on nominal engine power

STANDBY POWER



PRIME POWER



Performance Data	1500 rpm	1800 rpm
Gross Rated Power (without fan)		
Prime = PRP - kW (hp)	166 (223)	189 (253)
Standby = LTP - kW (hp)	183 (245)	210 (282)
Rated Speed - rpm	1500	1800
Low Idle Speed - rpm	No	No
BMEP		
Prime = PRP - kPa (psi)	1956 (283)	1876 (272)
Standby = LTP - kPa (psi)	2157 (313)	2065 (299)
Friction Power @ Rated Speed - kW (hp)	13 (17)	17 (23)
Altitude Capability		
Prime - m (ft)	2300 (7500)	2300 (7500)
Standby - m (ft)	1500 (5000)	1500 (5000)
Air: Fuel Ratio		
Prime = PRP	21.1 : 1	23.7 : 1
Standby = LTP	20.4 : 1	22.7 : 1
Noise		
Prime = PRP - dB(A) @ 1 m	93.6	95.5
Standby = LTP - dB(A) @ 1 m	94.9	96.9

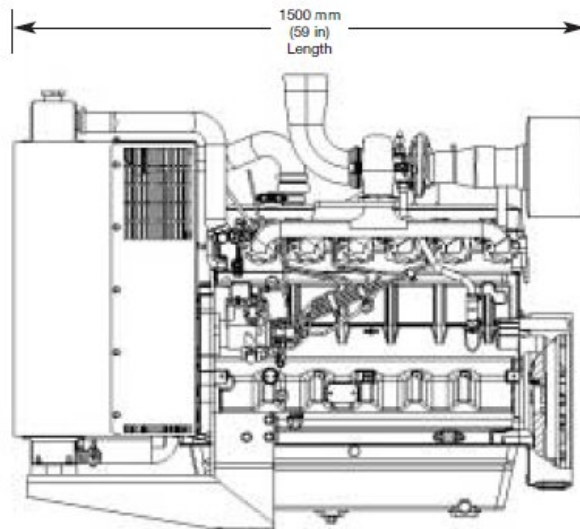
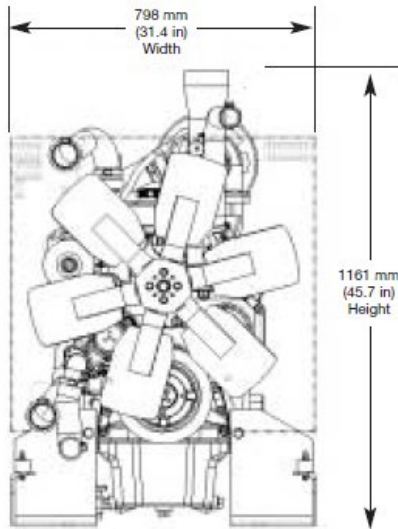
STANDBY POWER is the nominal engine power available at varying load factors for up to 500 hours per year. This rating conforms to ISO 8528-1 "limited time running power (LTP)". The calculated generator set rating range for standby applications is based on minimum engine power (nominal -5%) to provide 100% meet-or-exceed performance for assembled standby generator sets.

PRIME POWER is the nominal power an engine is capable of delivering with a variable load for an unlimited number of hours per year. This rating conforms to ISO 8528-1 "prime power (PRP)".

Photograph may show non standard equipment.



Power Unit Specification Data



Fuel Consumption - l/h	1500 rpm		1800 rpm	
	Prime = PRP	Standby = LTP	Prime = PRP	Standby = LTP
25% Power	10.7	11.5	12.6	13.5
50% Power	20.5	22.1	23.5	25.9
75% Power	31.3	34.4	36.1	39.9
100% Power	40.8	45.2	47.2	51.9

Rated power guaranteed within + or - 5% at SAE J1995 and ISO 3046

General Data

Model	6068HF258
Number of cylinders	6
Bore and Stroke - mm (in.)	106 x 127 (4.19 x 5.00)
Displacement - dm ³ (in ³)	6.8 (414)
Compression Ratio	17.0 : 1
Valves per Cylinder - Intake/Exhaust	1 / 1
Firing Order	1-5-3-6-2-4
Combustion System	Direct Injection
Engine type	In-line, 4-cycle
Aspiration	Turbocharged
Charge Air Cooling System	Air to air
Engine Crankcase Vent System	Open
Engine Crankcase Pressure - kPa (in.H ₂ O)	0.5 (2)

Physical Data

Length - mm (in.)	1500 (59)
Width - mm (in.)	798 (31.4)
Height - mm (in.)	1161 (45.7)
Weight, dry - kg (lb)	764 (1684)
(Includes flywheel housing, flywheel, & electrics)	
Center of gravity location	
From Rear Face of block (X-axis) - mm (in.)	450 (17.7)
Right of Crankshaft (Y-axis) - mm (in.)	-10 (-0.4)
Above Crankshaft (Z-axis) - mm (in.)	176 (6.9)

Electrical Data

Recommended Battery Capacity (CCA)	
12 Volt System - Amp	800
24 Volt System - Amp	570
Maximum Allowable Starting Circuit Resistance	
12 Volt System - Ohm	0.0012
24 Volt System - Ohm	0.002
Starter Rolling Current - 12 Volt System	
At 0°C (32°F) - Amp	920
At -30°C (-22°F) - Amp	1300
Starter Rolling Current - 24 Volt System	
At 0°C (32°F) - Amp	600
At -30°C (-22°F) - Amp	700

Specifications and design subject to change without notice.

Air System

	1500 rpm	1800 rpm
Maximum Allowable Temperature Rise		
Ambient Air to Engine Inlet - °C (°F)	8 (15)	8 (15)
Maximum Air Intake Restriction		
Dirty Air Cleaner - kPa (in. H ₂ O)	6.25 (25)	6.25 (25)
Clean Air Cleaner - kPa (in. H ₂ O)	3 (12)	3 (12)
Engine Air Flow		
Prime = PRP - m ³ /min (ft ³ /min)	10.7 (378)	13.9 (491)
Standby = LTP - m ³ /min (ft ³ /min)	11.5 (406)	14.8 (523)

Exhaust System

	1500 rpm	1800 rpm
Exhaust Flow		
Prime = PRP - m ³ /min (ft ³ /min)	30.3 (1070)	37.5 (1324)
Standby = LTP - m ³ /min (ft ³ /min)	32.9 (1162)	40.3 (1423)
Exhaust Temperature		
Prime = PRP - °C (°F)	590 (1094)	551 (1024)
Standby = LTP - °C (°F)	603 (1117)	567 (1053)
Max. Allow. Back Pressure - kPa (in.H ₂ O)	7.5 (30)	7.5 (30)
Recommended Exhaust Pipe Dia - mm (in.)	101.6 (4)	101.6 (4)

Cooling System

	1500 rpm	1800 rpm
Thermostat Start to open - °C (°F)	82 (180)	82 (180)
Power Unit Coolant Capacity - L (qt)	27.0 (28.5)	27.0 (28.5)
Minimum Air to Boil temperature - °C (°F)	47 (117)	47 (117)

Fuel System

	1500 rpm	1800 rpm
Fuel Injection Pump	Stanadyne	Stanadyne
Governor Regulation	5%	5%
Governor Type	Mechanical	Mechanical
Total Fuel Flow		
Prime = PRP - kg/h (lb/h)	93 (205)	96 (212)
Standby = LTP - kg/h (lb/h)	93 (205)	96 (212)
Maximum Fuel Transfer Pump Suction - m (ft)	0.9 (3)	0.9 (3)
Fuel Filter Micron Size @ 98% Efficiency	8	8

Lubrication System

	1500 rpm	1800 rpm
Oil Pressure at Rated Speed - kPa (psi)	345 (50)	345 (50)
Oil Pressure at Low Idle - kPa (psi)	105 (15)	105 (15)
In Pan Oil Temperature - °C (°F)	125 (257)	125 (257)
Total Engine Oil Capacity with filter - L (qt)	32 (34)	32 (34)
Engine Angularity Limits (continuous)		
Any Direction - degrees	20	20

The paper is environmentally friendly. (Je & le recyclent ensemble)

3/03 7/5/5

YY12810.07E



John Deere Power Systems
La Foulonnerie
 Usine de Saran - B.P. 11013
 45401 Fleury les Aubrais Cedex - France

Tel.: (33) 2 38 82 61 19
 Fax: (33) 2 38 84 62 66
 http: www.johndeere.com/engines

