

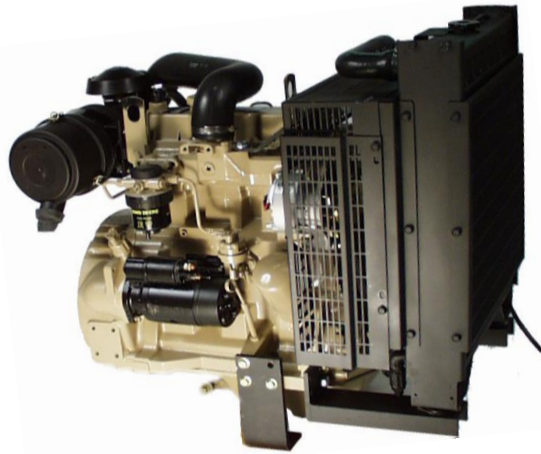
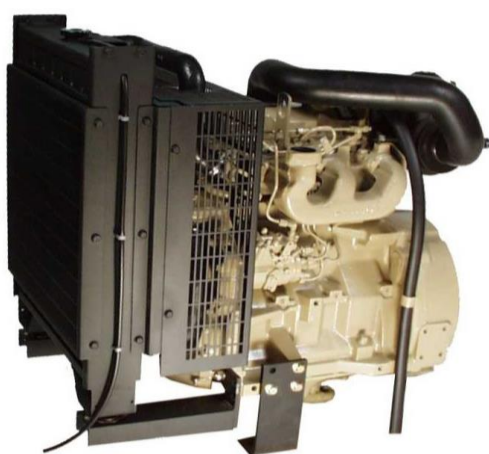
PowerTech™

3029DFU29 Diesel Engine - 30 kVA

GENERATOR SET POWER UNIT SPECIFICATIONS



Pictures



General data

Model	3029DFU29
Number of cylinders	In-Line 3
Displacement – L (cu in)	2.9 (177)
Bore and stroke – mm (in)	106 x 110 (4.19 x 4.33)
Compression ratio	17.2 : 1

Injection type	Mechanical rotary
Aspiration	Natural
Length – mm (in)	868 (34.1)
Width – mm (in)	591 (23.2)
Height – mm (in)	841 (33,1)
Weight, dry – kg (lb)	696 (316)

Corresponding bare engine 3029DF129

Ratings

Prime power at 50 Hz (1500 rpm)	27 kW (36 hp)
Standby power at 50 Hz (1500 rpm)	31 kW (41 hp)

Prime power at 60 Hz (1800 rpm)	31 kW (42 hp)
Standby power at 60 Hz (1800 rpm)	35 kW (47 hp)

Prime power is the nominal power an engine is capable of delivering with a variable load for an unlimited number of hours per year. This rating conforms to ISO 3046 and SAE J1995.

Standby power is the nominal engine power available at varying load factors for up to 500 hours per year. This rating conforms to ISO 3046 and SAE J1995. The calculated generator set rating range for standby applications is based on minimum engine power (nominal -5%) to provide 100% meet-or-exceed performance for assembled standby generator sets.

Certification

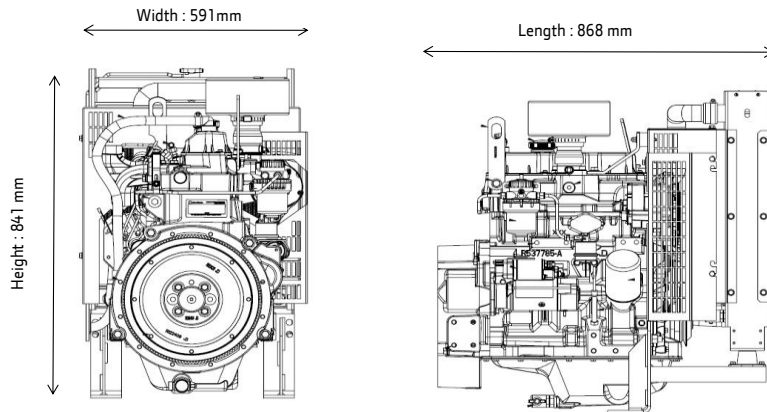
Non certified

PowerTech™ 3029DFU29 Diesel Engine
for Generator Set Applications

Performance data

Engine model	Hz (rpm)	Generator efficiency %	Fan power		Power factor	Calculated generator set output			
			kW	hp		Prime		Standby	
						kWe	kVA	kWe	kVA
3029DFU29	50 (1500)	88-92	2,0	2.7	0.8	22-23	28-29	26-27	32-34
3029DFU29	60 (1800)	88-92	3,0	4	0.8	25-26	31-33	28-30	35-37

Dimensions



Features and benefits

Dynamically Balanced Crankshaft

- Induction-hardened journals for long hours of reliable service
- Robust design to drive machinery from the front of the crankshaft
- Supported by five main bearings

Forged-steel Connecting Rods

- 45-degree connecting rod/cap-joint design allows the use of large connecting rod bearing for increased durability

Replaceable Wet-type Cylinder Liners

- Provide excellent heat dissipation
- Precision machined for long life
- Rebuild to original specifications

Smooth Operation

- Smooth vibration with full length engine balancers

Easy to Apply, Easy to Install

- Front and rear engine mounting pads on the side of the block facilitates installation
- Either side service for filters and service points
- All connection points in common locations make it easy to install or package

Compact Size

- Short length is ideal for both skid and packaged installations
- High mount or low mount turbocharger position to meet packaging requirements

World-class performance

- Excellent fuel economy and low oil consumption

Fuel System Controls

- Proven and Reliable Mechanical Governor
- 3-5% Droop Governing
- 12V or 24V Electric Shutoff

Orléans-Saran Unit
La Foulonnerie - B.P. 11013
45401 Fleury les Aubrais Cedex - France
Phone: +33.2.38.82.61.19
Fax: +33.2.38.82.62.66

3601 W. Ridgeway Ave.
PO Box 5100
Waterloo, IA 50704-5100
Phone: 800.553.6446
Fax: 319.292.5075

All values at rated speed and power with standard options unless otherwise noted.
Specifications and design subject to change without notice.

© 2014 JOHN DEERE